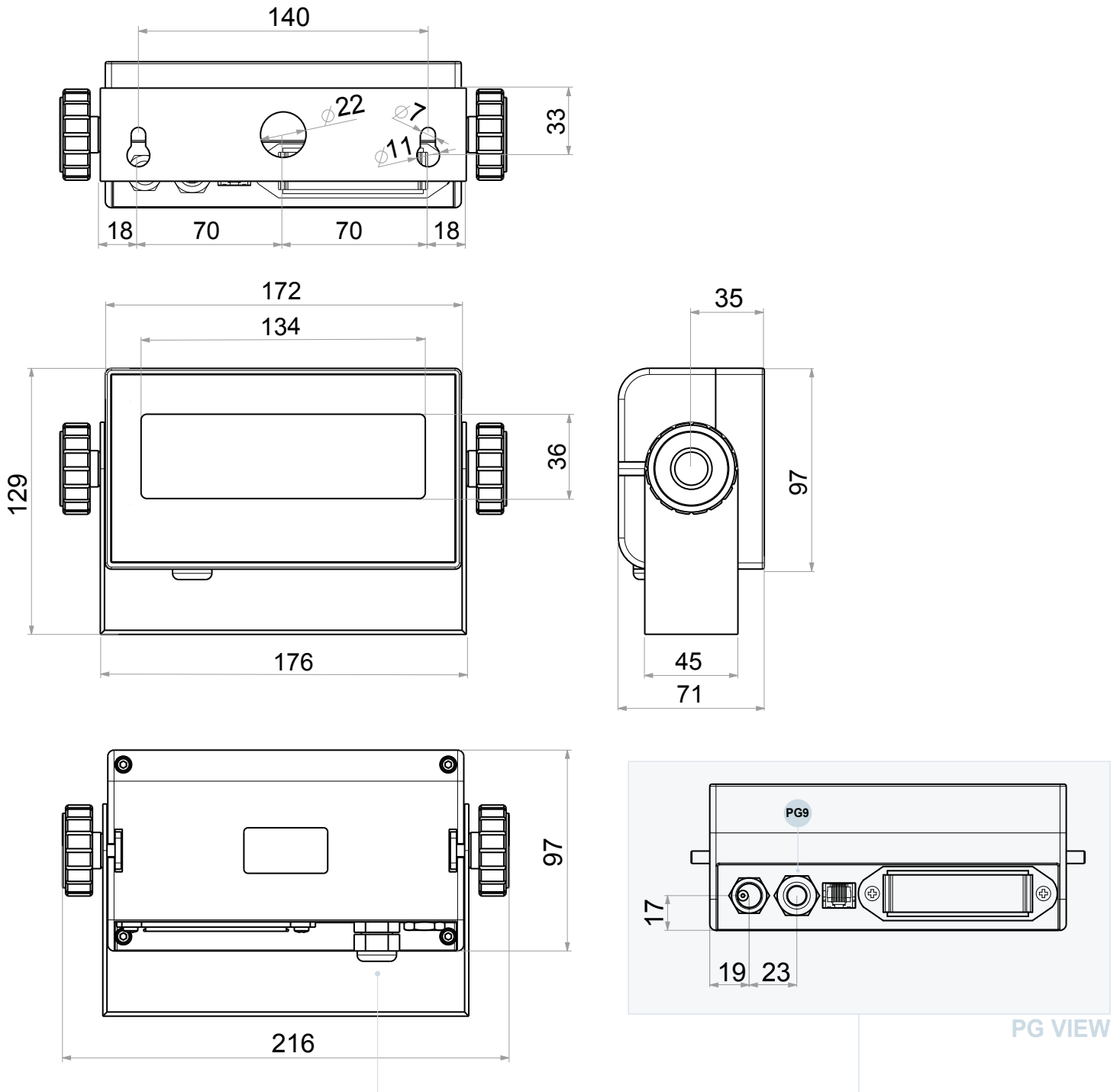


DFWL



Cable gland	Min. cable ϕ (mm)	Max. cable ϕ (mm)	Fastening torque (Nm)
PG9 - plastic	3,5	8	2

dimensions in mm